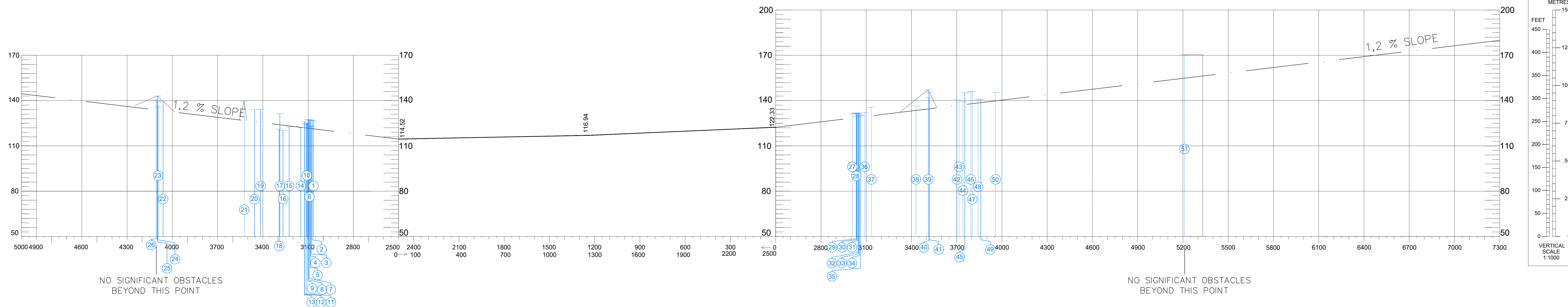
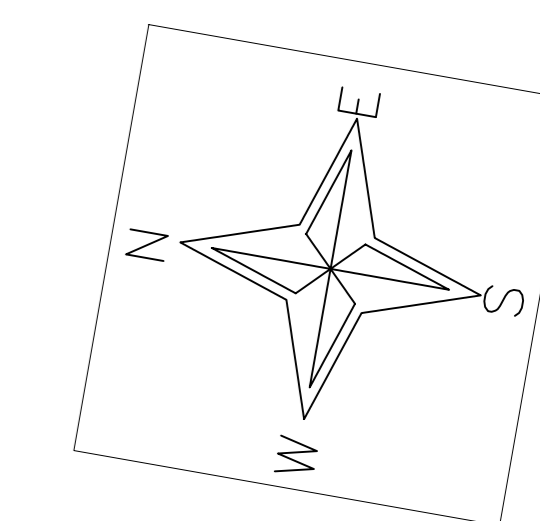


DIMENSIONS AND ELEVATIONS IN METRES

MAGNETIC VARIATION 5° E (2020) / 0.13° Increasing

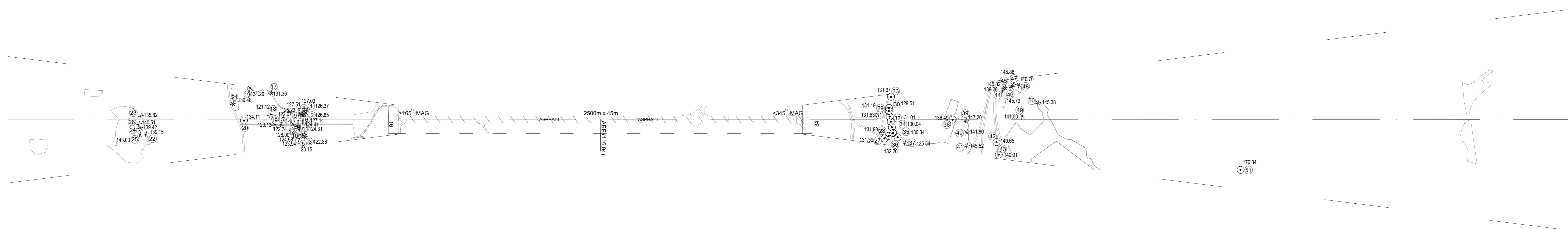
RUNWAY 16-34

DECLARED DISTANCES			
RWY 16	TAKE-OFF RUN AVAILABLE	RWY 34	
2500	2500	2500	
2500	ACCELERATE-STOP DISTANCE AVAILABLE	2500	
2500	TAKE-OFF DISTANCE AVAILABLE	2500	
2500	LANDING DISTANCE AVAILABLE	2500	

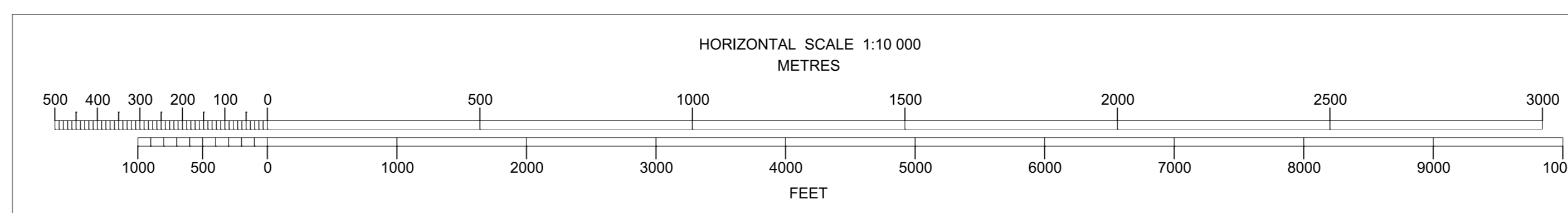


NO SIGNIFICANT OBSTACLES BEYOND THIS POINT

NO SIGNIFICANT OBSTACLES BEYOND THIS POINT



LEGEND		
	PLAN	PROFILE
Identification number	⊙	
Height AMSL	239.08	
Pole, tower, spire, antenna, etc.	⊙	⊙
Building	◆	◆
Tree	*	*
Wooded areas penetrating obstacle plane	▒	▒
Drain	—	
Primary road	—	



AMENDMENT RECORD		
NO.	DATE	ENTERED BY